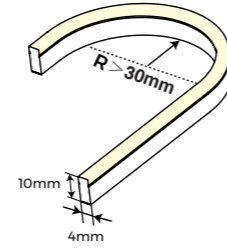




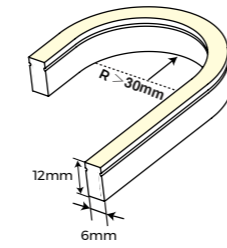
SILICONE NEON STRIP

Product List

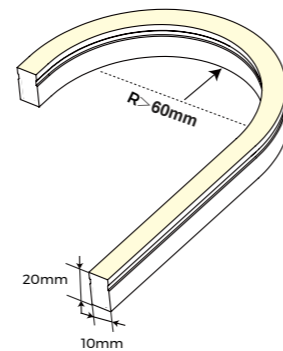
Series	Flat luminous surface series (Side bend)
Model	AGL-T04S-C10S
Size (mm)	5000x04x10
White light	12/24VDC
Min cut (mm)	17.86/41.66
Max.power (W/m)	8
Typ.power (W/m)	7.2
Lumens (LM/m)	240/290/300/300
CCT / Color	2300 K 2700 K 3000 K 4000 K 4500 K R G B Y
CRI	>80/90
Min bending radius (mm)	>30
IP	IP65



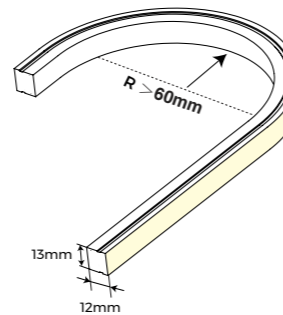
Series	Flat luminous surface series (Side bend)
Model	AGL-M06S-C12S
Size (mm)	White light/R/G/B/Y : 5000x6x12
White light	12/24VDC
Min cut (mm)	25/50
Max.power (W/m)	10.6 (White light) ; 8.8(RGBY)
Typ.power (W/m)	9.6 (White light) ; 8(RGBY)
Lumens (LM/m)	230/240/240/220/240
CCT / Color	2300 K 2700 K 3000 K 4000 K 4500 K R G B Y
CRI	>80/90
Min bending radius (mm)	>30
IP	IP67



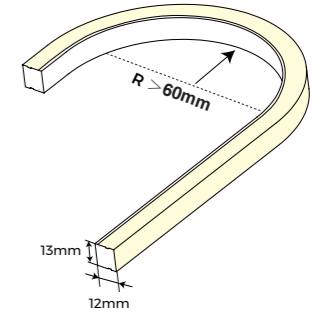
Series	Flat luminous surface series (Side bend)
Model	AGL-M10S-C20S
Size (mm)	5000x10x20
White light	48VDC
Min cut (mm)	166.6
Max.power (W/m)	5.8
Typ.power (W/m)	5.4
Lumens (LM/m)	130/130/140/140/150
CCT / Color	2300 K 2700 K 3000 K 4000 K 5000 K R G B Y
CRI	>80/90
Min bending radius (mm)	>60
IP	IP67



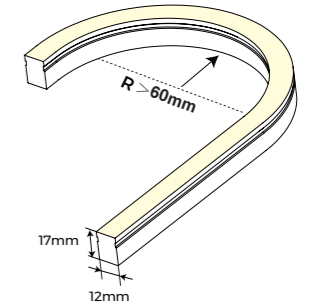
Series	Flat luminous surface series (Top bend)
Model	AGL-M13T-C12S-PLUS
Size (mm)	White light/R/G/B/Y : 5000/10000x13x12 RGB/RGBX/RGBW/SWW: 5000x13x12
White light	24VDC
Min cut (mm)	White light: 50/RGB 83 RGBX: 71.43 RGBW:62.5 SWW:31.25
Max.power (W/m)	10.6 (White light) ; 8.8(RGBY) ; 13.2 (RGB) ; 20.2 (RGBX) ; 16.5 (RGBW) ; 14(SWW)
Typ.power (W/m)	9.6 (White light) ; 8(RGBY) ; 12 (RGB) ; 18 (RGBX) ; 14.4 (RGBW) ; 12 (SWW)
Lumens (LM/m)	640/640/670/670
CCT / Color	2300 K 2700 K 3000 K 4000 K R G B Y RGB CCT Plus
CRI	>80/90
Min bending radius (mm)	>60
IP	IP67



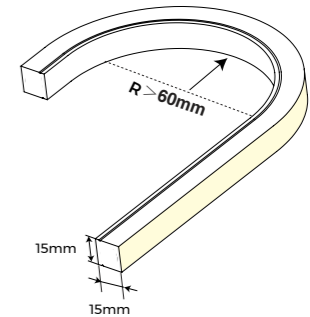
Series	Flat luminous surface series (Top bend) NEW
Model	AGL-M13T-C12S-U (3 sides luminous surface)
Size (mm)	White light : 5000/10000x13x12
White light	24VDC
Min cut (mm)	41.66
Max.power (W/m)	12
Typ.power (W/m)	11
Lumens (LM/m)	750/750/800/800
CCT / Color	2300 K 2700 K 3000 K 4000 K
CRI	>80/90
Min bending radius (mm)	>60
IP	IP67



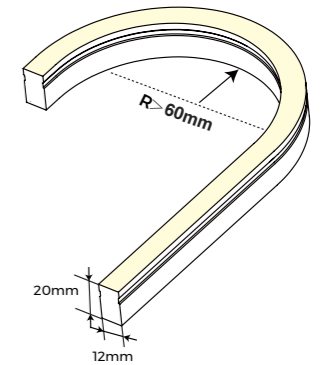
Series	Flat luminous surface series (Side bend)
Model	AGL-M12S-C17S-PLUS
Size (mm)	White light/R/G/B/Y : 5000/10000x12x17 RGB/RGBX/RGBW/SWW: 5000x12x17
White light	24VDC
Min cut (mm)	White light: 50/RGB 83 RGBX: 71.43 RGBW:62.5 SWW:100
Max.power (W/m)	10.6 (White light) ; 8.8(RGBY) ; 13.2 (RGB) ; 20.2 (RGBX) ; 16.5 (RGBW) ; 14(SWW)
Typ.power (W/m)	9.6 (White light) ; 8(RGBY) ; 12 (RGB) ; 18 (RGBX) ; 14.4 (RGBW) ; 12 (SWW)
Lumens (LM/m)	510/520/520/520
CCT / Color	2300 K 2700 K 3000 K 4000 K R G B Y RGB CCT Plus
CRI	>80/90
Min bending radius (mm)	>60
IP	IP67



Series	Flat luminous surface series (Top bend)
Model	AGL-M15T-C15S
Size (mm)	White light/R/G/B/Y : 5000/10000x15x15 RGB: 5000x15x15
White light	24VDC
Min cut (mm)	White light50/RGB 83
Max.power (W/m)	10.6 (White light) ; 8.8(RGBY) ; 13.2 (RGB)
Typ.power (W/m)	9.6 (White light) ; 8(RGBY) ; 12 (RGB)
Lumens (LM/m)	520/580/590/580
CCT / Color	2300 K 2700 K 3000 K 4000 K R G B Y RGB
CRI	>80/90
Min bending radius (mm)	>60
IP	IP67

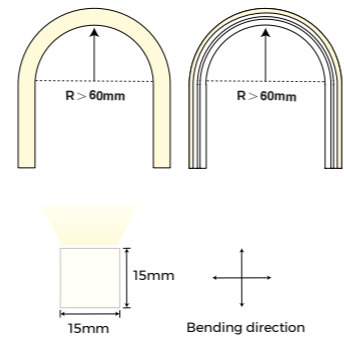


Series	Flat luminous surface series (Side bend)
Model	AGL-T12S-C20S
Size (mm)	5000x12x20
White light	5/12/24VDC
Min cut (mm)	16.6/50/83/100
Max.power (W/m)	10.6 (White light) ; 8.8(RGBY) ; 13.2(RGB) ; 14.4(RGBX);14(SWW)
Typ.power (W/m)	9.6 (White light) ; 8(RGBY) ; 12(RGB);13(RGBX);12(SWW)
Lumens (LM/m)	220/220/230/190
CCT / Color	2300 K 2700 K 3000 K 4000 K R G B Y RGB CCT Plus
CRI	>80/90
Min bending radius (mm)	>60
IP	IP65

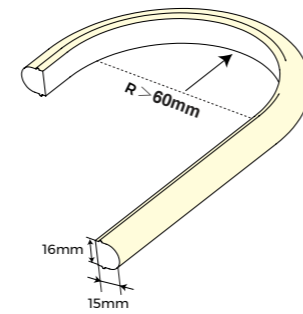


Product List

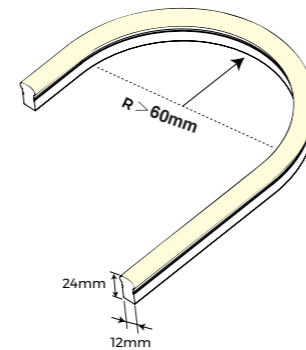
Series	Flat luminous surface series (3D) NEW																
Model	AGL-M3D-C1515S																
Size (mm)	5000×15×15																
White light	24VDC																
Min cut (mm)	41.66																
Max.power (W/m)	8																
Typ.power (W/m)	7.2																
Lumens (LM/m)	450/510/510/500																
CCT / Color	<table border="0"> <tr> <td>2300</td><td>2800</td><td>3200</td><td>4400</td> <td>R</td><td>G</td><td>B</td><td>Y</td> </tr> <tr> <td>K</td><td>K</td><td>K</td><td>K</td> <td></td><td></td><td></td><td></td> </tr> </table>	2300	2800	3200	4400	R	G	B	Y	K	K	K	K				
2300	2800	3200	4400	R	G	B	Y										
K	K	K	K														
CRI	>80/90																
Min bending radius (mm)	>60																
IP	IP67																



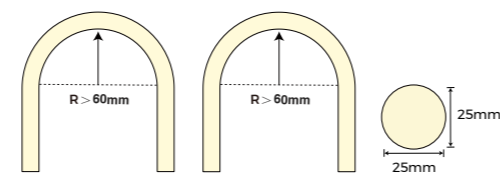
Series	Curve luminous surface series(Top bend)																
Model	AGL-N16T-C15S																
Size (mm)	White light : 15000×16×15 RGB: 5000×16×15																
White light	24VDC																
Min cut (mm)	41.66/50																
Max.power (W/m)	12(White light) ; 14.4 (RGB)																
Typ.power (W/m)	11(White light) ; 12 (RGB)																
Lumens (LM/m)	750/780/800/820/800																
CCT / Color	<table border="0"> <tr> <td>2300</td><td>2700</td><td>3000</td><td>3700</td><td>5000</td> <td>R</td><td>G</td><td>B</td> </tr> <tr> <td>K</td><td>K</td><td>K</td><td>K</td><td>K</td> <td></td><td></td><td></td> </tr> </table>	2300	2700	3000	3700	5000	R	G	B	K	K	K	K	K			
2300	2700	3000	3700	5000	R	G	B										
K	K	K	K	K													
CRI	>80/90																
Min bending radius (mm)	>60																
IP	IP67																



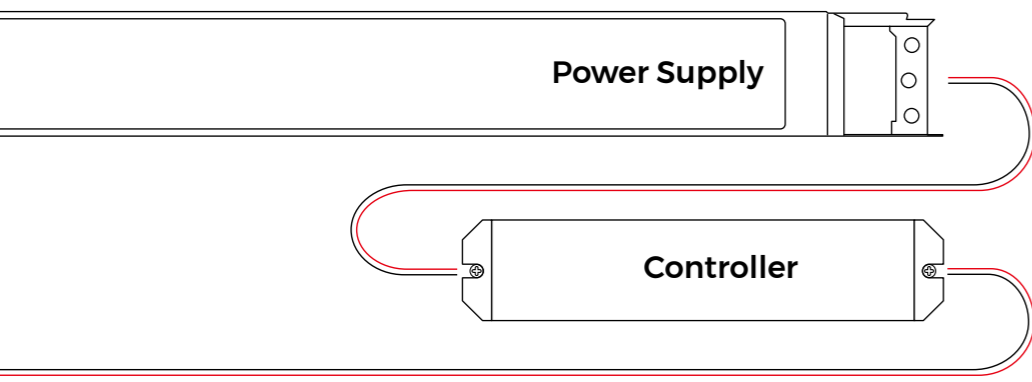
Series	Curve luminous surface series(Side bend) NEW																				
Model	AGL-N12S-C24S																				
Size (mm)	White light/R/G/B/Y/: 5000/10000×12×24 RGB: 5000×12×24																				
White light	24VDC																				
Min cut (mm)	White light 50/RGB 83																				
Max.power (W/m)	10.6 (White light) ; 8.8(RGBY) ; 13.2 (RGB) ;																				
Typ.power (W/m)	9.6 (White light) ; 8(RGBY); 12 (RGB) ;																				
Lumens (LM/m)	510/520/520/520/490																				
CCT / Color	<table border="0"> <tr> <td>2300</td><td>2700</td><td>3200</td><td>4200</td><td>5000</td> <td>R</td><td>G</td><td>B</td><td>Y</td><td>RGB</td> </tr> <tr> <td>K</td><td>K</td><td>K</td><td>K</td><td>K</td> <td></td><td></td><td></td><td></td><td></td> </tr> </table>	2300	2700	3200	4200	5000	R	G	B	Y	RGB	K	K	K	K	K					
2300	2700	3200	4200	5000	R	G	B	Y	RGB												
K	K	K	K	K																	
CRI	>80/90																				
Min bending radius (mm)	>60																				
IP	IP68																				



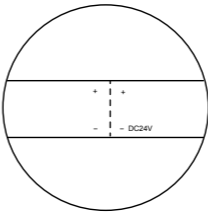
Series	Curve luminous surface series NEW								
Model	AGL-N2R-C5S								
Size (mm)	5000×φ25								
White light	24VDC								
Min cut (mm)	41.66								
Max.power (W/m)	16								
Typ.power (W/m)	14.4								
Lumens (LM/m)	900/950/950/900								
CCT / Color	<table border="0"> <tr> <td>2300</td><td>2700</td><td>3000</td><td>4000</td> </tr> <tr> <td>K</td><td>K</td><td>K</td><td>K</td> </tr> </table>	2300	2700	3000	4000	K	K	K	K
2300	2700	3000	4000						
K	K	K	K						
CRI	>80/90								
Min bending radius (mm)	>60								
IP	IP65								



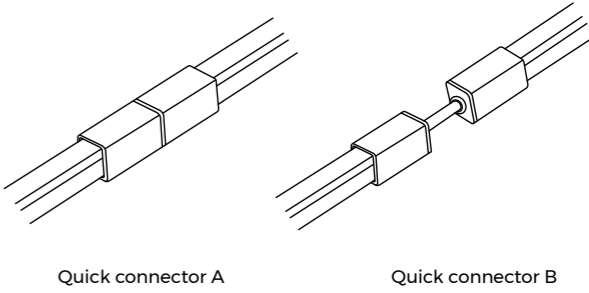
Silicone Neon Strip Solution



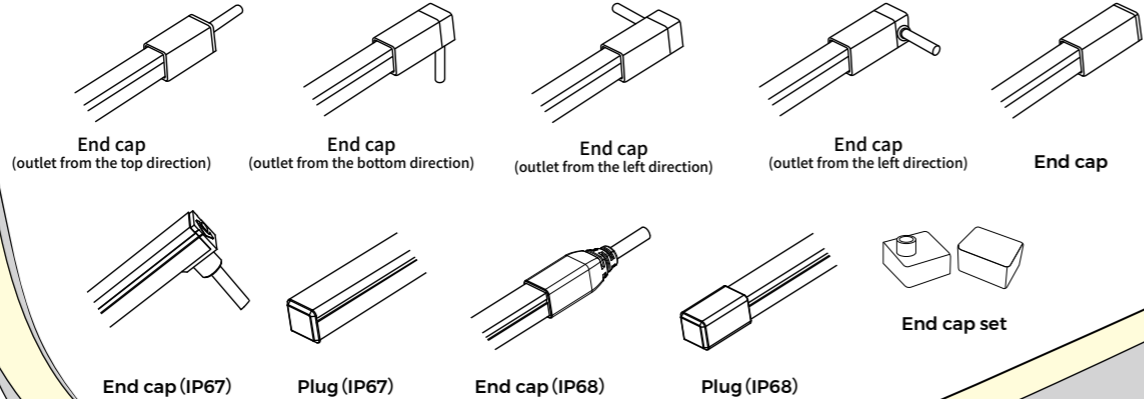
Cutting line



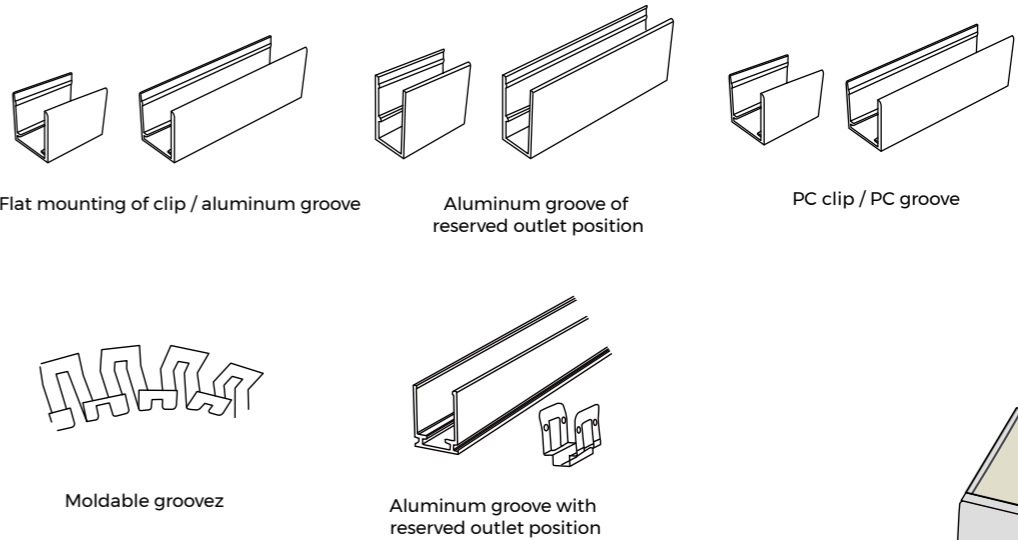
Connector



End cap



Installation Accessories



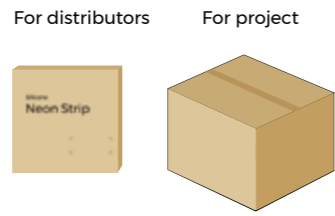
LED

Ra/CRI > 80/90

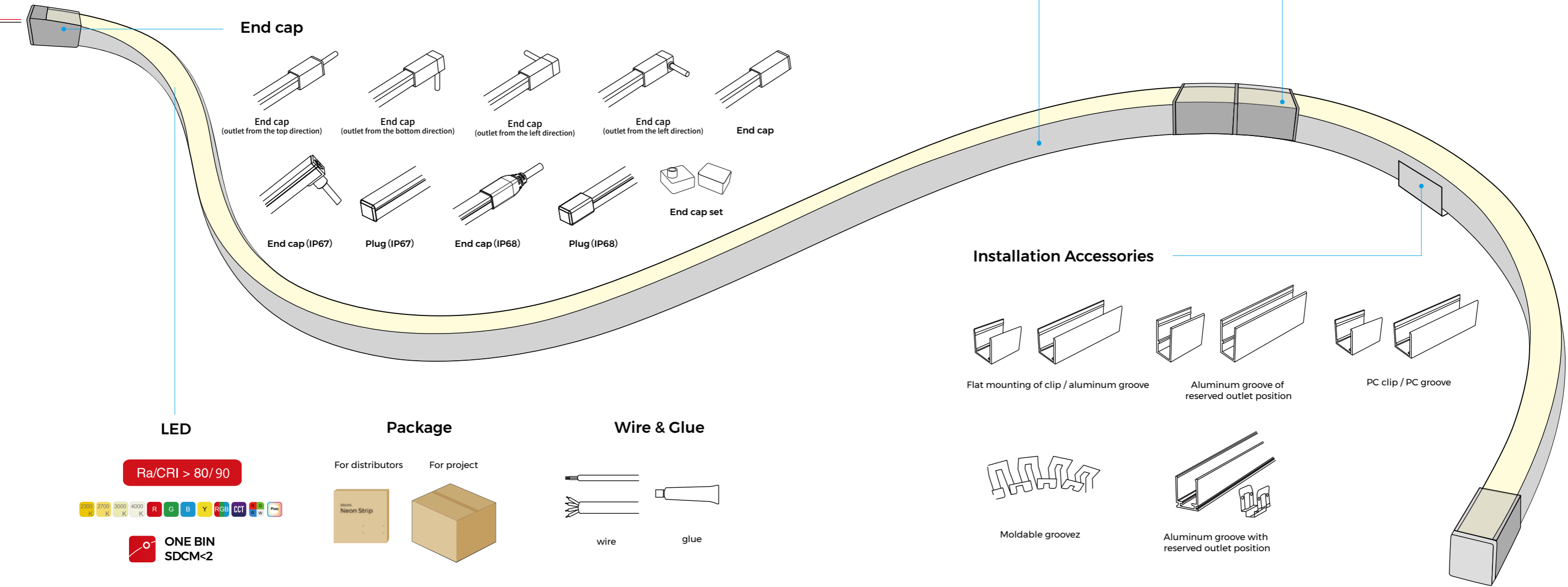
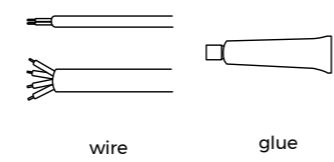


ONE BIN SDCM<2

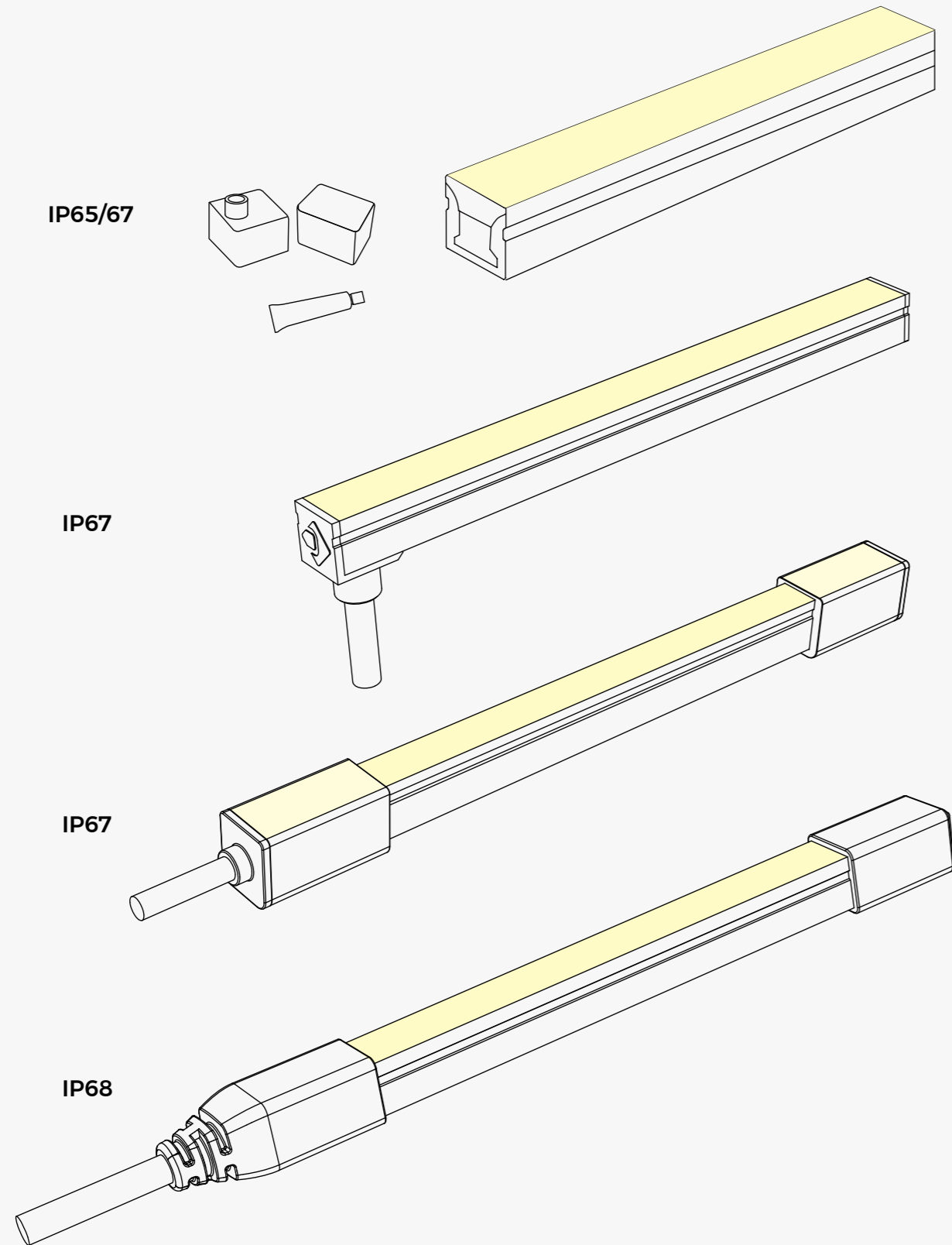
Package



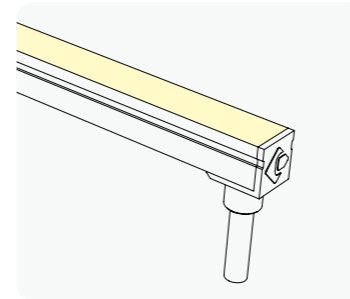
Wire & Glue



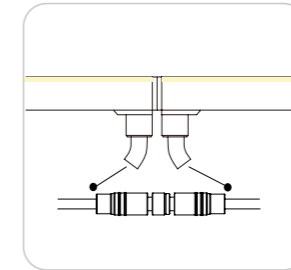
IP Process Technology



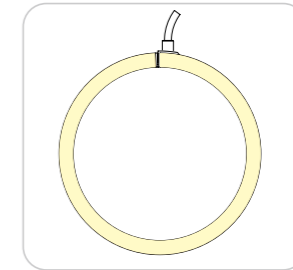
IP67 end cap without dark area



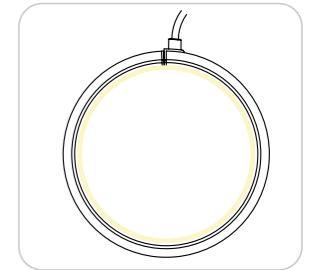
Linear interconnection without dark area



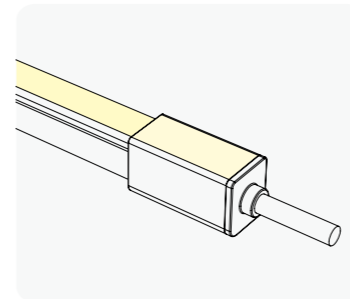
Curve interconnection of lighting outward without dark area



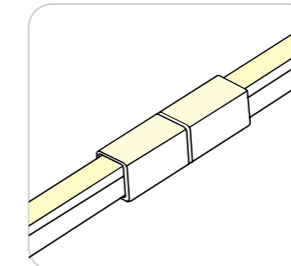
Curve interconnection of lighting inward without dark area



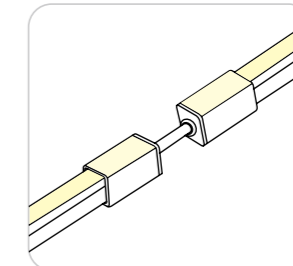
IP67 soldering-free quick connector



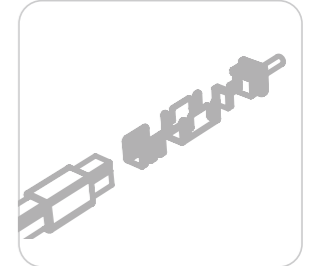
Quick connector (Without wire)



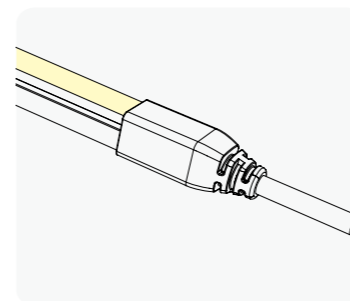
Quick connector (With wire)



Deconstruction diagram of soldering free interconnted accessory



IP68 end cap, can be used in the bottom of swimming pool



Pool



Performance Feature



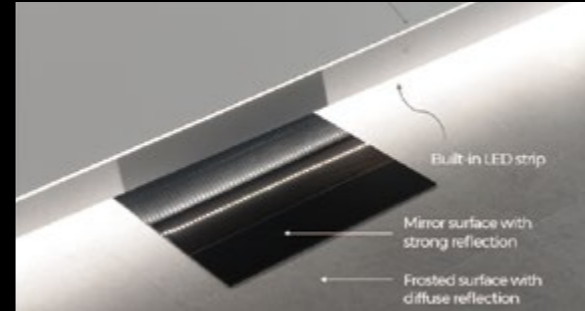
High substitutability

Featuring high substitutability, can achieve various lighting effects such as white light, RGB and digital toning, it can replace the neon tube, guardrail tube, rainbow tube and so on for signage lighting/architectural lighting/landscape lighting.



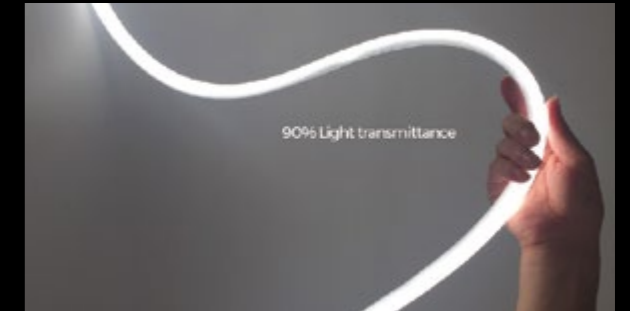
High thermal conductivity

High thermal conductivity, the thermal conductivity of silicone is 0.27W/MK, better than the "0.14W/MK" of PVC, and the strip features longer effective heat dissipation life.



Uniform Lighting

Uniform Lighting, dot-free, direct-view surface, used for highly reflective material, featuring a glossy environment free from dazzling.



High light transmittance

High light transmittance up to 90%, can meet the requirements of high lumens output, and it's not only used for decoration but also lighting.



Resistance to UV

Featuring resistance to UV, the extrusion silicone can be used outdoor environment for long-term exposure to direct sunlight, no yellowing and aging over 5 years.



Flame-retardant and environmental

It is environmental and non-toxic, with high ignition point, non-flammable in needle-flame burning, and without irritating toxic gases volatilizing (not like PVC), which is more secure.



Good flexibility

Reliable structure with good flexibility, adopting solid silicone, customizing internal structure and external form by mould. It can be bent and twisted, suitable for various shapes, with resistance to tear and draw, it is not easy to damage and deform with good flexibility



Outstanding weather resistance

Outstanding weather resistance, storing in the environment between -50°C and +150°C, it can maintain the normal-soft state, without embrittlement, deformation, softening and aging. And using in the environment between -20°C and +45°C, it can operate normally resisting extremely cold and high heat.



Resistance to corrosive gases

Resistance to corrosive gases, include chlorine, sulfur dioxide, hydrogen sulfide, nitrogen dioxide and so on, the silicone neon strip with long life span can be used for severe environment



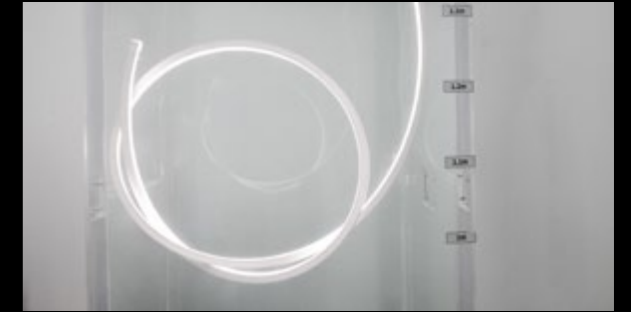
Dust proof

Avoid dust into the neon strip, and featuring reliable sealing, up to IP6X, beautiful appearance, wide range of applications and long life span.



Resistance to corrosion

Featuring resistance to corrosion, the silicone can resist corrosion of normal salt, alkali and acid, can be used for special environments such as beach, yacht, chemical industry, petroleum, mine and laboratory.



Good protective performance

Good protective performance, the main body of product and standard outlet end cap can be used in the environment up to IP67 standard, and can pass the laboratory test standards of IP68

Installation Solution

Provide multiple installation accessories for top bend and side bend, meet various applying demands.

End cap

Outlet from the horizontal (top) direction



Outlet from the bottom direction



Outlet from the left direction

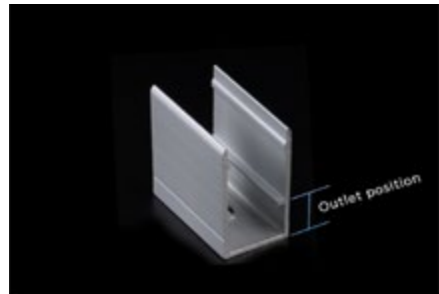


Outlet from the right direction

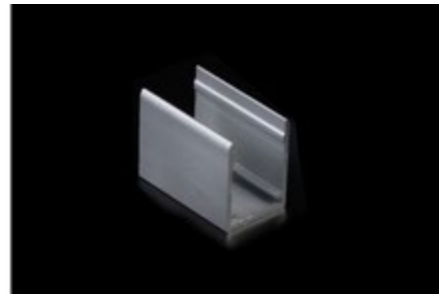


Mounting clip

Aluminum clip (outlet)



Aluminum clip

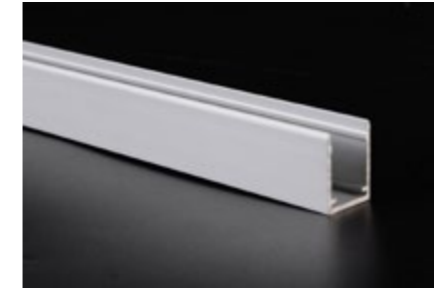


PC clip



Mounting groove

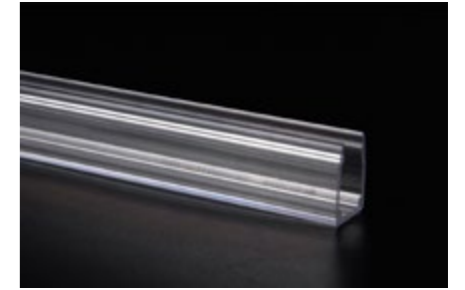
Aluminum groove



Aluminum groove (outlet)



PC groove



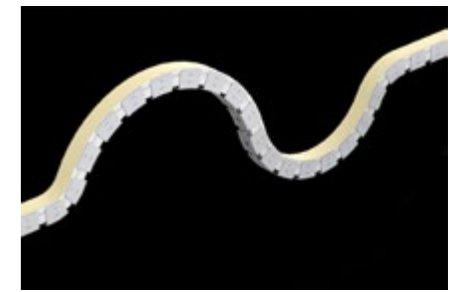
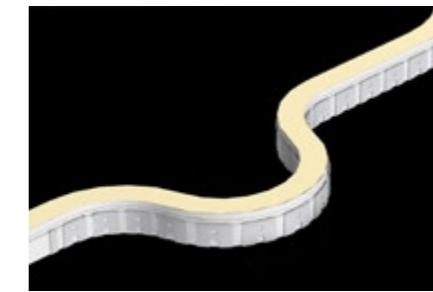
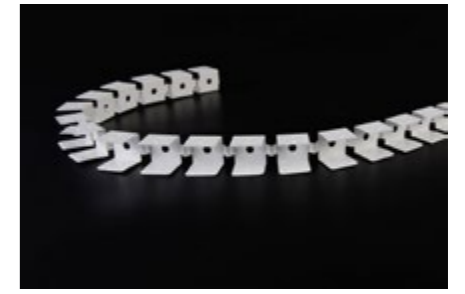
Aluminum groove with reserved outlet position



Moldable mounting groove NMS1217 (Side bend)

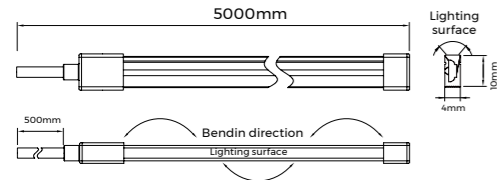


Moldable mounting groove NMT1312 (Top bend)



AGL-T04S-C10S (Side bend)

- Ultra-thin 4mm luminous surface, applicable to signage & indoor decoration lighting
- High luminous efficiency, LM80 proved
- Silicone extrusion molding technology, IK06, IP65
- 3 years warranty, life span over 36000 hours



24V/12V DC 5m REEL

Basic Parameters

Size	5000×04×10mm
Cutting unit	41.66mm/17.86mm
Input voltage	12/24VDC
Input current	0.6A/1m (12V) 0.3A/1m (24V)
Typ.power	7.2W/m
Max.power	8W/m
Bend radius	>30mm

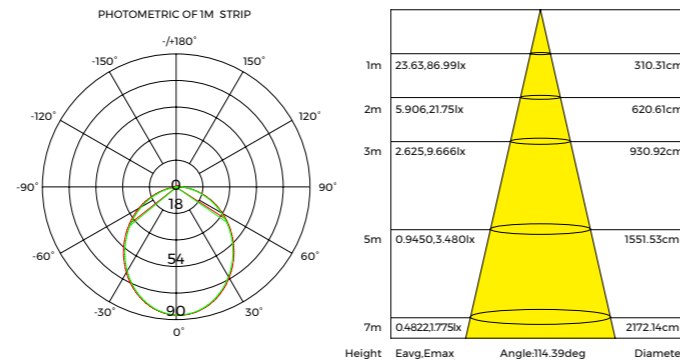
Recommended Accessories

Flat mounting aluminum groove	L: 1000mm	
Fixed clip	W5*H12*L18mm, With screws	
End cap set	One end cap+one plug Two end cap clip	
Gum filler	10ml/pcs	
Wire	L: 0.5m 2P: 2X0.5mm ² L: 2m 2P: 2X0.5mm ²	

Photo-electric Parameters

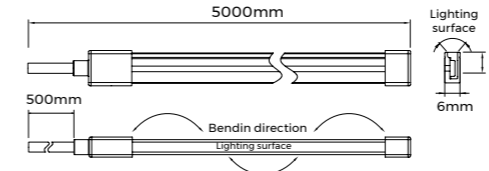
CRI	CCT	LM/m	LM/W
>80/90	2300 K	240	33
	2700 K	290	40
	3000 K	300	42
	4000 K	300	42
	R 620-630nm		
	G 525-530nm		
	B 465-470nm		
	Y 587-592nm		

1. The above parameters are tested based on 1M standard products;
2. The power and luminous flux are allowed to have an error range of ±10%;
3. The above parameters are typical values;



AGL-M06S-C12S (Side bend)

- 6mm luminous surface, applicable to signage & indoor and outdoor decoration lighting
- High luminous efficiency, LM80 proved
- Silicone extrusion molding technology, IK06, IP67
- 3 years warranty, life span over 36000 hours



12V DC 24V DC 5m REEL

Basic Parameters

Size	5000×06×12mm
Cutting unit	25mm / 50mm
Input voltage	12VDC/24VDC
Input current	0.8A/1m ; 0.67A/1m (RGBY) @ 12VDC 0.4A/1m ; 0.34A/1m (RGBY) @ 24VDC
Typ.power	9.6W/m (White Light) 8W/m (RGBY)
Max.power	10.6W/m (White Light) 8.8W/m (RGBY)
Bend radius	>30mm

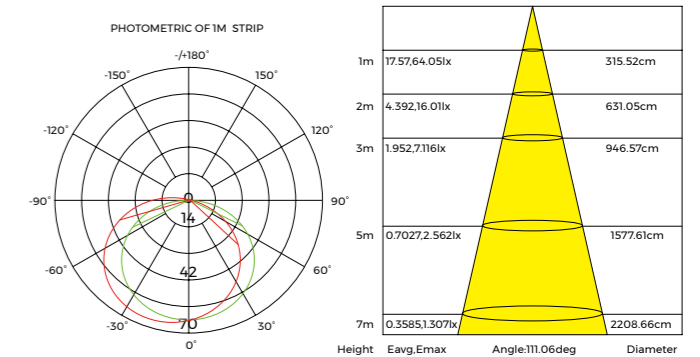
Recommended Accessories

Flat mounting aluminum groove	L: 1000mm, With screws	
Flat mounting clip	L: 20mm, With screws	
Aluminum groove of reserved outlet position	L: 1000mm, With screws	
Clip of reserved outlet position	L: 20mm, With screws	
PC groove	L: 1000mm, With screws	
PC clip	L: 20mm, With screws	
Moldable groove	In development	
End cap set	One end cap+one plug	
Gum filler	10ml/pcs	
Wire	L: 0.5m 2P: 2X0.5mm ² L: 2m 2P: 2X0.5mm ²	

Photo-electric Parameters

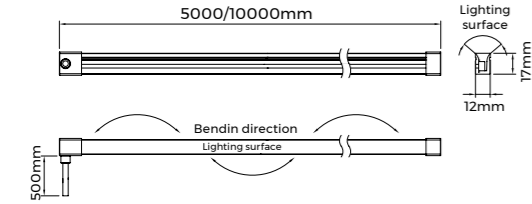
CRI	CCT	LM/m	LM/W
>80/90	2300 K	230	24
	2700 K	240	25
	3000 K	240	25
	4000 K	220	23
	4500 K	240	25
	R 620-630nm		
	G 525-530nm		
	B 465-470nm		
	Y 587-592nm		

1. The above parameters are tested based on 1M standard products;
2. The power and luminous flux are allowed to have an error range of ±10%;
3. The above parameters are typical values;



AGL-M12S-C17S-PLUS (Side bend)

- 12mm luminous surface, applicable to signage, indoor and outdoor decoration lighting, building structure decoration lighting
- High luminous efficiency, LM80 proved
- Silicone extrusion molding technology, IK08, IP67
- Systematized solution of installation and interconnection
- 3 years warranty, life span over 36000 hours(RGB digital 2 years)



24V DC 5/10m REEL

Basic Parameters

Series	Cutting unit	Input voltage	Input current	Typ. power	Max. power	Size
Single Color	50mm	24V	0.4A	9.6W/m	10.6W/m	5000×12×17mm 10000×12×17mm
RGBY	50mm	24V	0.34A	8W/m	8.8W/m	5000×12×17mm 10000×12×17mm
RGB	83mm	24V	0.5A	12W/m	13.2W/m	5000×12×17mm
RGBW	62.5mm	24V	0.6A	14.4W/m	16.5W/m	5000×12×17mm
RGBX	71.43mm	24V	0.75A	18W/m	20.2W/m	5000×12×17mm
SWW	100mm	24V	0.5A	12W/m	14W/m	5000×12×17mm

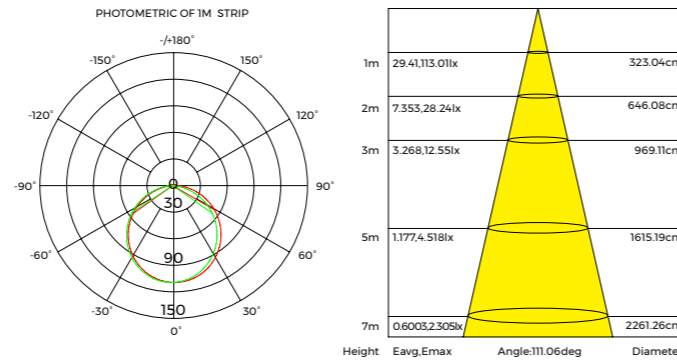
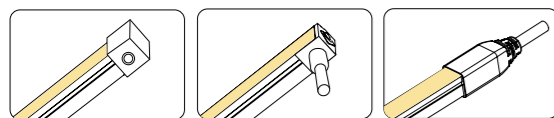
Bend radius >60mm

Photo-electric Parameters

CRI	CCT	LM/m	LM/W
>80/90	2300 K	510	51
	2700 K	520	52
	3000 K	520	52
	4000 K	520	52
	R 620-630nm	/	/
	G 525-530nm	/	/
	B 465-470nm	/	/
	Y 587-592nm	/	/
	RGB	/	/
	R G B W	/	/
	CCT	650	50
	Pixel	/	/

1. The above parameters are tested based on 1M standard products;
2. The power and luminous flux are allowed to have an error range of ±10%;
3. The above parameters are typical values;

IP Process Technology



Recommended Accessories

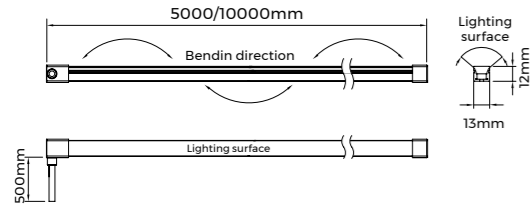
Flat mounting aluminum groove	L : 1000mm, With screws	
Flat mounting clip	L : 25mm, With screws	
Aluminum groove of reserved outlet position	L : 1000mm, With screws	
Clip of reserved outlet position	L : 25mm, With screws	
PC groove	L : 1000mm, With screws	
PC clip	L : 25mm, With screws	
Aluminum groove with reserved outlet position	L : 1000mm, with screws	
Moldable groove	L : 500mm, With screws	

Recommended Accessories

Soldering-free waterproof end cap	outlet from the horizontal (top)direction	
Soldering-free waterproof end cap	outlet from the bottom direction	
Soldering-free waterproof end cap	outlet from the left direction	
Soldering-free waterproof end cap	outlet from the right direction	
Soldering-free waterproof end cap	non-outlet from plug	
End cap set	One end cap+one plug	
Gum filler	10ml/pcs	
Wire	L : 0.5m 2P : 2X0.5mm² L : 2m 2P : 2X0.5mm²	
Wire	L : 0.5m 4P : 4X0.5mm² L : 2m 4P : 4X0.5mm²	
Wire	L : 0.5m 5P : 5X0.3mm² L : 2m 5P : 5X0.3mm²	

AGL-MI3T-C12S-PLUS (Top bend)

- 12mm luminous surface, applicable to signage, indoor and outdoor decoration lighting, building structure decoration lighting
- High luminous efficiency, LM80 proved
- Silicone extrusion molding technology, IK08, IP67
- Systematized solution of installation and interconnection
- 3 years warranty, life span over 36000 hours(RGB digital 2 years)



24V DC 5/10m REEL

Basic Parameters

Series	Cutting unit	Input voltage	Input current	Typ. power	Max. power	Size
Single Color	50mm	24V	0.4A	9.6W/m	10.6W/m	5000×13×12mm 10000×13×12mm
RGBY	50mm	24V	0.34A	8W/m	8.8W/m	5000×13×12mm 10000×13×12mm
RGB	83mm	24V	0.5A	12W/m	13.2W/m	5000×13×12mm
RGBW	62.5mm	24V	0.6A	14.4W/m	16.5W/m	5000×13×12mm
RGBX	71.43mm	24V	0.75A	18W/m	20.2W/m	5000×13×12mm
SWW	31.25mm	24V	0.5A	12W/m	14W/m	5000×13×12mm

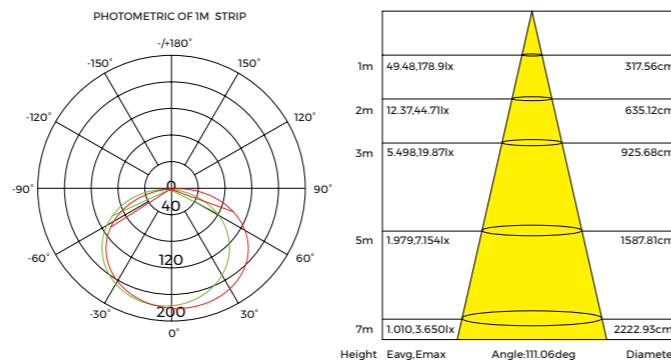
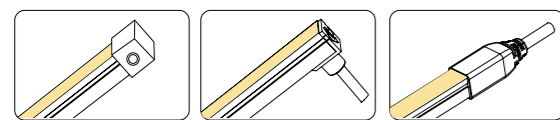
Bend radius >60mm

Photo-electric Parameters

CRI	CCT	LM/m	LM/W
>80/90	2300 K	640	65
	2700 K	640	65
	3000 K	670	70
	4000 K	670	70
	R 620-630nm	/	/
	G 525-530nm	/	/
	B 465-470nm	/	/
	Y 587-592nm	/	/
	RGB	/	/
	R G B W	/	/
	CCT	650	50
	Plus	/	/

1. The above parameters are tested based on 1M standard products;
2. The power and luminous flux are allowed to have an error range of ±10%;
3. The above parameters are typical values;

IP Process Technology



Recommended Accessories

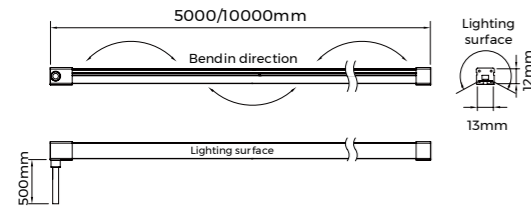
Flat mounting aluminum groove	L : 1000mm, With screws	
Flat mounting clip	L : 25mm, With screws	
Aluminum groove of reserved outlet position	L : 1000mm, With screws	
Clip of reserved outlet position	L : 25mm, With screws	
PC groove	L : 1000mm, With screws	
PC clip	L : 25mm, With screws	
Aluminum groove with reserved outlet position	L: 1000mm, with screws	
Moldable groove	L : 500mm, With screws	

Recommended Accessories

Soldering-free waterproof end cap	outlet from the horizontal (top)direction	
Soldering-free waterproof end cap	outlet from the bottom direction	
Soldering-free waterproof end cap	outlet from the left direction	
Soldering-free waterproof end cap	outlet from the right direction	
Soldering-free waterproof end cap	non-outlet from plug	
End cap set	One end cap+one plug	
Gum filler	10ml/pcs	
Wire	L : 0.5m 2P : 2X0.5mm ² L : 2m 2P : 2X0.5mm ²	
Wire	L : 0.5m 4P : 4X0.5mm ² L : 2m 4P : 4X0.5mm ²	
Wire	L : 0.5m 5P : 5X0.3mm ² L : 2m 5P : 5X0.3mm ²	

AGL-M13T-C12S-U (Top bend)

- 3 sides luminous surface, applicable to signage, indoor and outdoor decoration lighting, building structure decoration lighting
- High luminous efficiency, LM80 proved
- Silicone extrusion molding technology, IP67
- Systematized solution of installation and interconnection
- 3 years warranty, life span over 36000 hours



24V DC 5/10m REEL

Basic Parameters

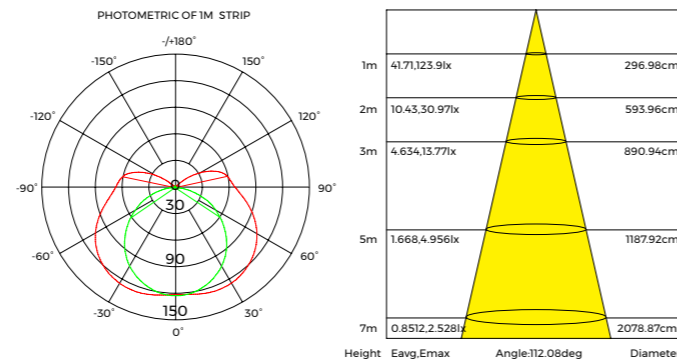
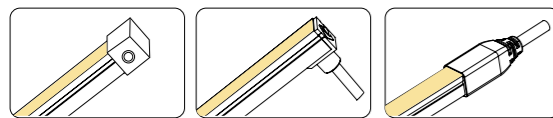
Size	5000×13×12mm
Cutting unit	41.66mm
Input voltage	24VDC
Input current	0.46A/1m
Typ.power	11W/m
Max.power	12W/m
Bend radius	>60mm

Photo-electric Parameters

CRI	CCT	LM/m	LM/W
>80/90	2300 K	750	78
	2700 K	750	78
	3000 K	800	83
	4000 K	800	83

1. The above parameters are tested based on 1M standard products;
2. The power and luminous flux are allowed to have an error range of ±10%;
3. The above parameters are typical values;

IP Process Technology



Recommended Accessories

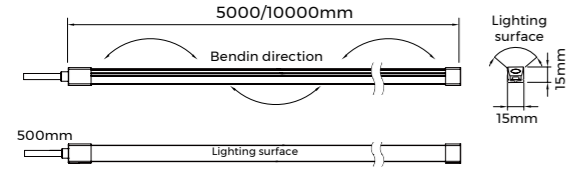
Flat mounting aluminum groove	L : 1000mm, With screws	
Flat mounting clip	L : 25mm, With screws	
Aluminum groove of reserved outlet position	L : 1000mm, With screws	
Clip of reserved outlet position	L : 25mm, With screws	
PC groove	L : 1000mm, With screws	
PC clip	L : 25mm, With screws	
Aluminum groove with reserved outlet position	L : 1000mm, with screws	
Moldable groove	L : 500mm, With screws	

Recommended Accessories

Soldering-free waterproof end cap	outlet from the horizontal (top)direction	
Soldering-free waterproof end cap	outlet from the bottom direction	
Soldering-free waterproof end cap	outlet from the left direction	
Soldering-free waterproof end cap	outlet from the right direction	
Soldering-free waterproof end cap	non-outlet from plug	
End cap set	One end cap+one plug	
Gum filler	10ml/pcs	
Wire	L : 0.5m 2P : 2X0.5mm ² L : 2m 2P : 2X0.5mm ²	

AGL-M15T-C15S (Top bend)

- 15mm luminous surface, applicable to indoor and outdoor decoration lighting, building structure decoration lighting
- High luminous efficiency, LM80 proved
- Silicone extrusion molding technology, IK08, IP67
- 3 years warranty, life span over 36000 hours



24V DC 5/10m REEL

Basic Parameters

Size	White Light: 5000×15×15 & 10000×15×15 R, G, B, Y, RGB: 5000×15×15
Cutting unit	Single Color 50mm & RGB 83mm
Input voltage	24VDC
Input current	0.4A/1m 0.34A/1m (R/G/B/Y) 0.5A/1m (RGB)
Typ.power	9.6W/m (White Light) 8W/m(RGBY) 12W/m (RGB)
Max.power	10.6W/m (White Light) 8.8W/m(RGBY) 13.2W/m (RGB)
Bend radius	>60mm

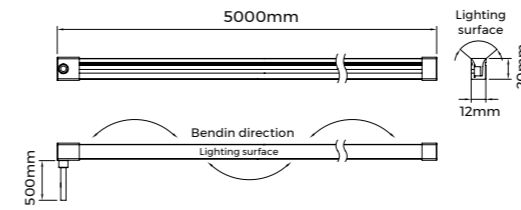
Photo-electric Parameters

CRI	CCT	LM/m	LM/W
>80/90	2300 K	520	54
	2700 K	580	60
	3000 K	590	61
	4000 K	580	60
	R 620-630nm	/	/
	G 525-530nm	/	/
	B 465-470nm	/	/
	Y 587-592nm	/	/
	RGB	/	/

1. The above parameters are tested based on 1M standard products;
2. The power and luminous flux are allowed to have an error range of ±10%;
3. The above parameters are typical values;

AGL-T12S-C20S (Side bend)

- 12mm luminous surface, applicable to signage, indoor and outdoor decoration lighting
- High luminous efficiency, LM80 proved
- Silicone extrusion molding technology, IK08, IP65
- 3 years warranty, life span over 36000 hours(RGB digital 2 years)



5V DC 12V DC 24V DC 5m REEL

Basic Parameters

Series	Cutting unit	Input voltage	Input current	Typ. power	Max. power	Size	Bend radius
Single Color	50mm	24V	0.4A	9.6W/m	10.6W/m	5000×12×20mm	>60mm
RGBY	50mm	24V	0.34A	8W/m	8.8W/m	5000×12×20mm	
RGB	83mm	24V	0.5A	12W/m	13.2W/m	5000×12×20mm	
RGBX-5V	16.6mm	5V	2.4A	13W/m	14.4W/m	5000×12×20mm	
RGBX-12V	50mm	12V	1A	13W/m	14.4W/m	5000×12×20mm	
SWW	100mm	24V	0.5A	12W/m	14W/m	5000×12×20mm	

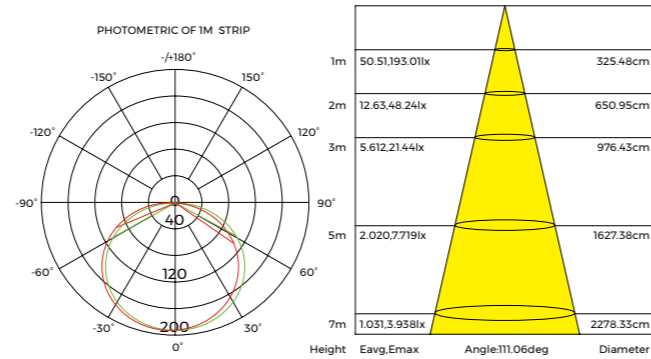
Photo-electric Parameters

CRI	CCT	LM/m	LM/W
>80/90	2300 K	220	23
	2700 K	220	23
	3000 K	230	23
	4000 K	190	20
	2300-4000K	330	23
	R 620-630nm	/	/
	G 525-530nm	/	/
	B 465-470nm	/	/
	Y 587-592nm	/	/
	RGB	/	/
	RGBX	/	/

1. The above parameters are tested based on 1M standard products;
2. The power and luminous flux are allowed to have an error range of ±10%;
3. The above parameters are typical values;

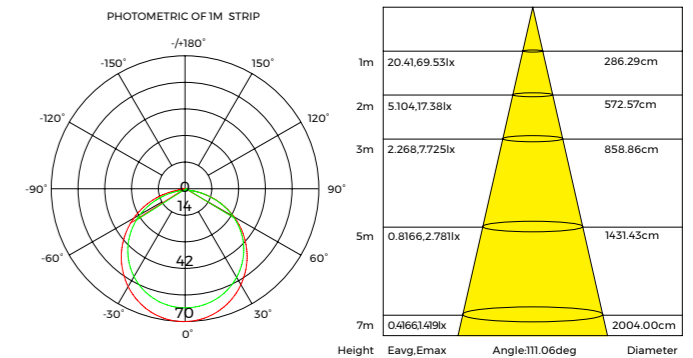
Recommended Accessories

Moldable groove	L: 5000mm, With screws	
Mounting clip	L: 95mm, With screws	
End cap set	One end cap+one plug	
Gum filler	10ml/pcs	
Wire	L: 0.5m 2P: 2X0.5mm ² L: 2m 2P: 2X0.5mm ²	
Wire	L: 0.5m 4P: 4X0.5mm ² L: 2m 4P: 4X0.5mm ²	



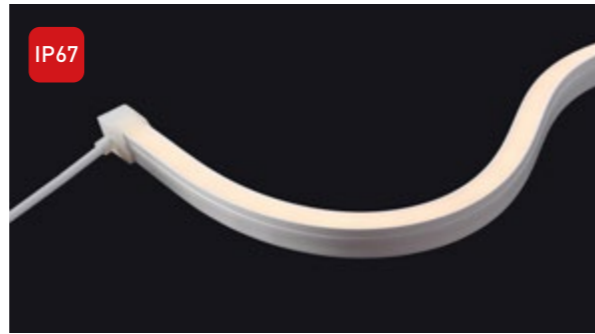
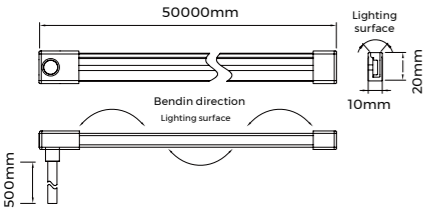
Recommended Accessories

Flat mounting aluminum groove	L: 1000mm, With screws	
Flat mounting clip	L: 25mm, With screws	
End cap set	One end cap+one plug	
Gum filler	10ml/pcs	
Wire	L: 0.5m 2P: 2X0.5mm ² L: 2m 2P: 2X0.5mm ²	
Wire	L: 0.5m 4P: 4X0.5mm ² L: 2m 4P: 4X0.5mm ²	



AGL-M10S-C20S (Side bend)

- 10mm luminous surface, applicable to signage, indoor and outdoor decoration lighting ,building structure decoration lighting.
- High luminous efficiency, LM80 proved.
- DC48V, 50m ultra-long application.
- Silicone extrusion molding technology, IK08, IP67.
- 3 years warranty, life span over 36000 hours.



48V DC 50m REEL

Basic Parameters

Size	50000×10×20mm
Cutting unit	166mm
Input voltage	48VDC
Input current	0.12A/1m
Typ.power	5.4W/m
Max.power	5.8W/m
Bend radius	>60mm

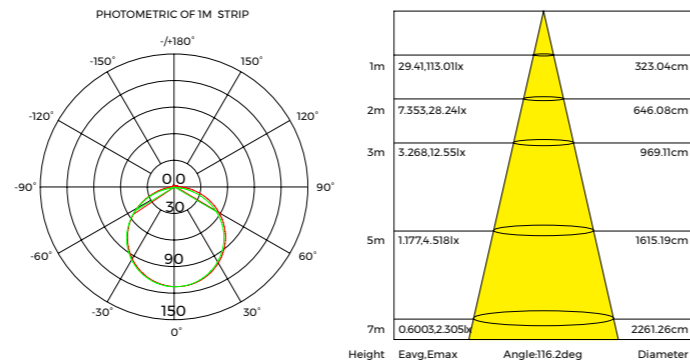
Recommended Accessories

Aluminum clip	L: 25mm, with screws	
Flat mounting aluminum groove	L: 1000mm, With screws	
End cap set	One end cap+one plug	
Gum filler	10ml/pcs	
Wire	L: 0.5m 2P: 2X0.75mm² L: 2m 2P: 2X0.75mm²	

Photo-electric Parameters

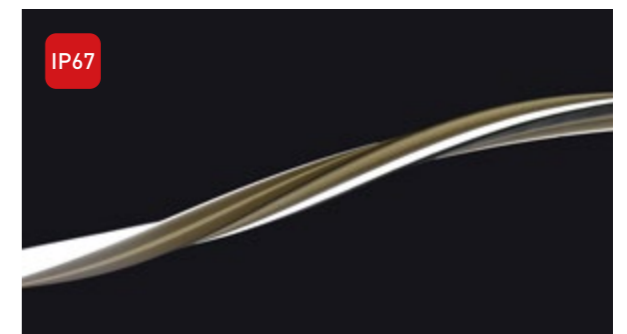
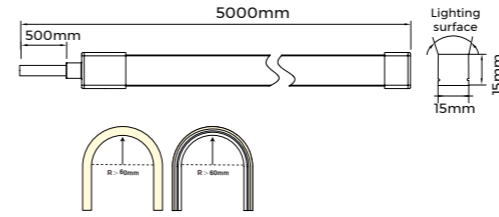
CRI	CCT	LM/m	LM/W
>80/90	2300 K	130	22
	2700 K	130	22
	3000 K	140	24
	4300 K	140	24
	5000 K	150	26

1. The above parameters are tested based on 1M standard products;
2. The power and luminous flux are allowed to have an error range of ±10%;
3. The above parameters are typical values;



AGL-M3D-C1515S (3D)

- 15mm luminous surface, twist and bend in 3D, applicable to signage, indoor and outdoor decoration lighting, building structure decoration lighting.
- High luminous efficiency, LM80 proved.
- Silicone extrusion molding technology, IK08, IP67
- 3 years warranty, life span over 36000 hours.



24V DC 5m REEL

Basic Parameters

Size	5000×15×15mm
Cutting unit	41.66mm
Input voltage	24VDC
Input current	0.3A/m
Typ.power	7.2W/m
Max.power	8W/m
Bend radius	>60mm

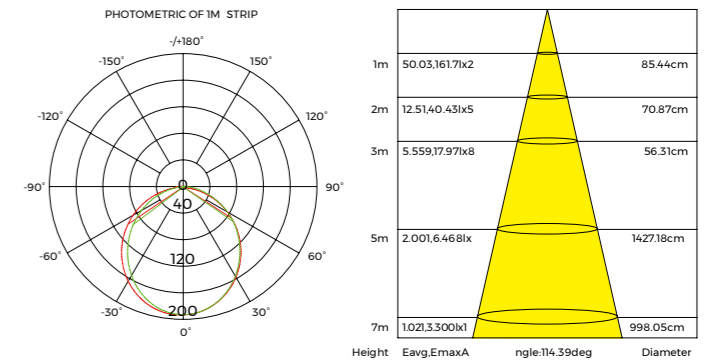
Recommended Accessories

Flat mounting aluminum groove	L: 1000mm	
Moldable groove	L: 500mm, With screws	
End cap set	One end cap+one plug	
Gum filler	10ml/pcs	
Wire	L: 0.5m 2P: 2X0.5mm² L: 2m 2P: 2X0.5mm²	

Photo-electric Parameters

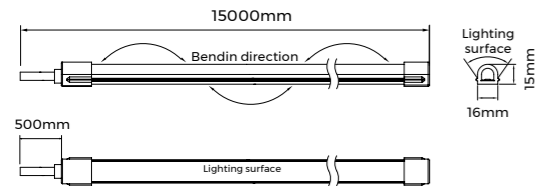
CRI	CCT	LM/m	LM/W
>80/90	2300 K	450	62
	2800 K	510	70
	3200 K	510	70
	4400 K	500	69
	R 620-630nm		
	G 525-530nm		
	B 465-470nm		
	Y 587-592nm		

1. The above parameters are tested based on 1M standard products;
2. The power and luminous flux are allowed to have an error range of ±10%;
3. The above parameters are typical values;



AGL-N16T-C15S (Top bend)

- Dome structure design, gentle and homogeneous light, applicable to signage, indoor and outdoor decoration lighting, building structure decoration lighting.
- High luminous efficiency, LM80 proved.
- Silicone extrusion molding technology, IK08, IP67
- DC24V, wide voltage tolerance design
- 15m ultra-long application, same brightness from one end to another.
- 3 years warranty, life span over 36000 hours.



24V DC 5m REEL 15m REEL

Basic Parameters

Size	15000×16×15mm
	5000×16×15mm
Cutting unit	41.66mm/50mm
Input voltage	24VDC
Input current	0.46A/m
	0.6A/m (RGB)
Typ.power	11W/m & 12W/m(RGB)
Max.power	12W/m & 14.4W/m(RGB)
Bend radius	>60mm

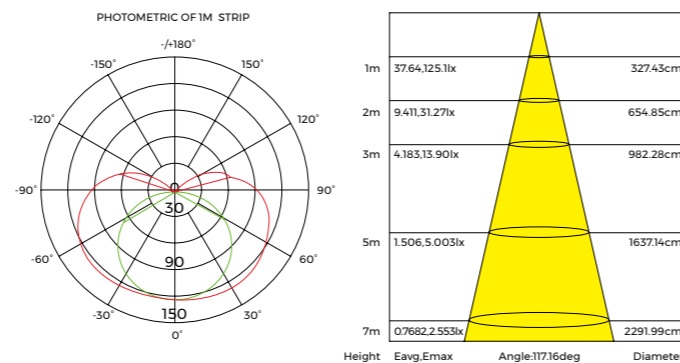
Photo-electric Parameters

CRI	CCT	LM/m	LM/W
>80/90	2300 K	750	68
	2700 K	780	70
	3000 K	800	72
	3700 K	820	74
	5000 K	800	72
	RGB	/	/

1. The above parameters are tested based on 1M standard products;
2. The power and luminous flux are allowed to have an error range of ±10%;
3. The above parameters are typical values;

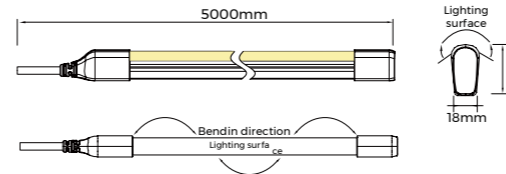
Recommended Accessories

PC Carrier	L: 1000mm, With screws	
PC Clip	L: 25mm, With screws	
Flat mounting aluminum groove	L: 1000mm, With screws	
Flat mounting clip	L: 25mm, With screws	
End cap set	One end cap+one plug	
Gum filler	10ml/pcs	
Wire	L: 0.5m 2P: 2X0.75mm ² L: 2m 2P: 2X0.75mm ²	



AGL-N12S-C24S (Side bend)

- 270° dome structure design, large luminous surface and homogeneous light, applicable to signage, indoor and outdoor decoration lighting, building structure decoration lighting, swimming pool.
- High luminous efficiency, LM80 proved.
- Silicone extrusion molding technology, IK08, IP68.
- Systematized solution of installation.
- 3 years warranty, life span over 36000 hours.



24V DC 5/10m REEL

Basic Parameters

Size	5000/10000×16×15mm
Cutting unit	50mm & RGB 83mm
Input voltage	24VDC
Input current	0.4A/m & 0.34A/m (R/G/B/Y) 0.5A/m (RGB)
Typ.power	9.6W/m & 8W/m (R/G/B/Y) 12W/m (RGB)
Max.power	10.6W/m & 8.8W/m (R/G/B/Y) 13.2W/m(RGB)
Bend radius	>60mm

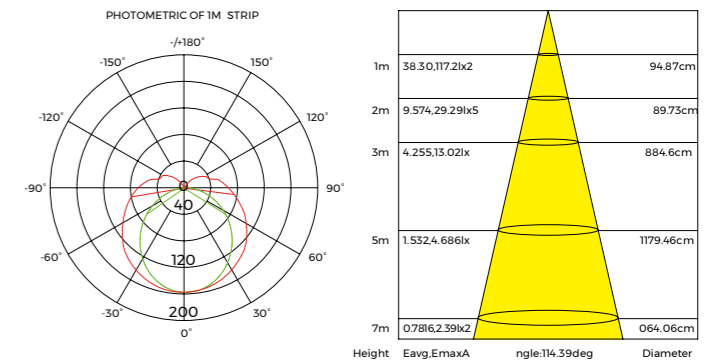
Photo-electric Parameters

CRI	CCT	LM/m	LM/W
>80/90	2300 K	510	53
	2700 K	520	54
	3200 K	520	54
	4200 K	520	54
	5000 K	490	51
	R	/	/
	G	/	/
	B	/	/
	Y	/	/
	RGB	/	/

1. The above parameters are tested based on 1M standard products;
2. The power and luminous flux are allowed to have an error range of ±10%;
3. The above parameters are typical values;

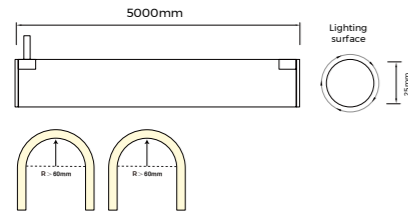
Recommended Accessories

Flat mounting aluminum groove	L: 1000mm, With screws	
Flat mounting clip	L: 25mm, With screws	
Aluminum groove of reserved outlet position	L: 1000mm, With screws	
Clip of reserved outlet position	L: 25mm, With screws	
PC groove	L: 1000mm, With screws	
PC clip	L: 25mm, With screws	
Aluminum groove with reserved outlet position	L: 1000mm, with screws	
Moldable groove	L: 500mm, With screws	
End cap set	One end cap+one plug	



AGL-N2R-C5S (Side bend)

- 360° uniform round-glowing design, applicable to space decoration lighting.
- High luminous efficiency, LM80 proved.
- Silicone extrusion molding technology, IP65.
- Pendant and surface mounted are achievable.
- 3 years warranty, life span over 36000 hours.



24V DC 5m REEL

Basic Parameters

Size	5000×φ25mm
Cutting unit	41.66mm
Input voltage	24VDC
Input current	0.6A/m
Typ.power	14.4W/m
Max.power	16W/m
Bend radius	>60mm

Recommended Accessories

PC Carrier	L: 1000mm, With screws	
PC Clip	L: 25mm, With screws	
End cap set	One end cap+one plug	
End cap set	One end cap+one plug	
Pendant cable	Accessories for hanging lifting	

Photo-electric Parameters

CRI	CCT	LM/m	LM/W
>80/90	2300 K	900	62
	2700 K	950	66
	3000 K	950	66
	4000 K	900	62

1. The above parameters are tested based on 1M standard products;
2. The power and luminous flux are allowed to have an error range of ±10%;
3. The above parameters are typical values;

